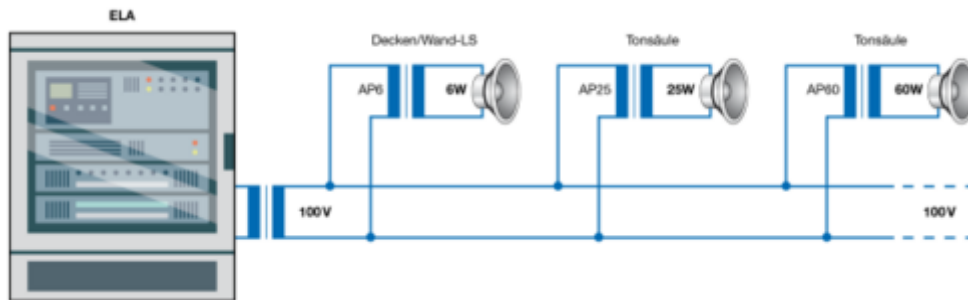


## 4.3 Vorteile von 100V-Lautsprechern

### Der Vorteil der 100V-Technik liegt in der wirtschaftlichen Verkabelung der Anlagen

- Es können nahezu beliebig viele Lautsprecher verschiedenen Typs parallel angeschlossen werden
- Unterschiedliche Lautsprecherleistungen können an einen Verstärker angeschlossen werden
- Bei der Berechnung des Verstärkers brauchen nur die einzelnen Werte der Lautsprecher addiert aus dem Ergebnis ergibt sich die erforderliche Verstärkerleistung.
- Höhere Spannungen bedeuten geringere Ströme und damit geringere Leitungsquerschnitte. Gemäß VDE 0833-4 / 6.2.7.1 mindestens 0,8 mm Leiterdurchmesser.
- Durch Anpassung des Übertragers kann die vor Ort gewünschte Lautstärke erzeugt werden.
- Im Gegensatz zur niederohmigen Technik können Lautsprecher nicht überlastet werden.



### Mathematische Grundlagen

Umrechnung Impedanz ↔ Leistung

```

{{data:image/png;base64,iVBORw0KGgoAAAANSUHEUgAAAAAAADQCAYAAABBY7UsAAAgAEIEQVR4n
O3dd3xTZd/H8StjB5S9ZANlIKGgIAgyBAQZ3oJ73eLe2xtUFPBREfdGclGoIHS PQUA2toUyuqB0b7p3mzZN8
nn+SJO2NIWWtqQJv/frdf3TpMk5ycn5nmsehRBCCOEAYtEbIIQQ4vlKASSEEMihJICEEEI4hASQEEIh5AAEkI
4RASQEIIIRxCAkgIUQOFrB5Yz5o1ayxI3W5OZ5stD5ISOL51re2xdfsJ0Dt2Y0U9lwEkhKgBA3H7P2dKRy1K
05yRb20hNK/kIXM6j5Y9zyAvhbbj/fjknxiKHLqtor6RABJC1FAWF9zuiXlfyhfhpvIPFR/hrV46PKcsJdsxGyfMQ
kgIUQN5fLnVE+U+3C+jjw3gl4ys7cOz6l/kuuYjRP1mASQEKKGJIDEXZEAELUKASQuDgSQEKIGpIAEhdHA
kgIUUNVCKA7lksAiQokglR9BaH8s2oFK1asYMWK1eyPqmQARtkD/79WITxvJRuOnMVk/5nVUqzPlzc3107Jl
y+/AL3BiLIkr2Qm9fASPv4Uxbuiq24bfqzhJw8wYkTjzhxMpCY7Kq9qihLz5p7G9ofBWfWZnp3HY3uXydzg
EQFEKDLIPsfG52VyilUMqD237Lsh/CL7nctTxPQ+snd9R8roc5iZ/Ge5S8ZuVF16A5HXsPY8qLX7MzurCyP
SH8y2G4Kx193jIG8bmbf3iO1+isr9mcaVsqex1ROQPe07uj1XbipX3nfPtZy7mzkRvXzDIZ4bMXQgJl2OUM
AVS2aFqO5vPjBaUvkfoXn83+IUMJhWQtm0oD5cHYhQmYitPw3/gj6wINIs13kgDK3TubYe3cS/e3WV+mL
Q3H6OgNK1Ho8xZ93LW0v/t3Im0HQc7HPryjxo2H8+Xp+rKloj6RABJ21asAatiGLt260a2kdO16FZ07tMJL
Vz6EPAd/TLARwEzSr5NppBTKqxvjw2kqaYBA+97iluu8kKjtPSY4Y2BugggM2krn2PiM1+wMSijVgPCcGw
W/XQKpZpy94pKvg+HKeDUH89yU4cGNGzXj5vGjOGmvu25ovd/eHdHfL0JSIG/SAAJu+pTAHmM/4kkO29
eIpgPbw9rUhpCbv15P8AlmIjb+QUv3Teaa9p7oS3bbOfVII5DbuXBT/aSYa6BAEpZNAEPpVCaxnS75Tm+2
nyKzNo4A2cvY4qnQul68daRetqgZS4kPeYmWUGnCE/MkWY3cV4SQMKumgeQkdAf7mFg//70r1K5nru+P
225Uq5iAAHkrbufpQ0QB7ZWj5A8v2/4pZWGsvjntfyv72Z5fajTgPIVjQ07j6eF77eyumsGgzRyFvBnZ4Kpe
vD235yahfOTwJl2FXzACrG/73+6Krcj6Oj76ySQQLVCKDMP++wNLUphdJ25pUDBttj+IM/MaWDDqXrxpOf
vkj/D4WmzUQWBJeGTF30ARWFrmf2Q8O4soGdvqomPZnw0rf8dSa7+qMFJYCEi5EAEnbV9wAyG7Kj+fdH
HupZ+jzNFdPYZFvxMoe9b1xLI6Wl/UPrSDHIsOelHuiUjz2e+4uMktery0ElxenBbJ3/OncMaIP7ufurbUqvSS8

```

zf0coOVXtzLnIADIW5JCVmUlMNUtWjI76bkSdkgASdtVGH1B+XAA+3t54V6n44B+Xb/nHcwch6Dzw8vKyl  
Yae7uX6dZRSKE1LbI14pnyfgzmLY4vnszXBUTcwp+/njz9PkFlmRy7NKLhCzvtq4bPnJnB1M905wevjhEXJV  
RtQcFEBZODgq10qfI5VKNoeM/A2XPgdhLhYEKDCrosNoDYOGIbt0f4mnl3iT+5FDAu71MOWtSKH+HhiR9  
xU6Wd7y49n6zCATMTunM+8uXOZW80yb+Fu4mtjVrEQIZAAEnaZ4hcwpkwATV6SXkkAHeGtq0sDqO0z  
O20BVJgcRIBgIIFVkkGEJZfMIT8ngDRN0tP/+gH06dqaBpoy4ePZnft/8C0tBlfpFxA5oyl3NnCc1ytzFKaM/  
GnBDt9OwZSTm7gyxcn0afFuTUgD8b/nFSHAVS3qlurshYhQAjIVMKcupijHIU4SRr+5X/dtCXP09LppX2UTP  
Gsgz4gE+I+33Nn5zln8cYDeGmLvZN+1VxUAKUvYZKHvX1wZ/T3cbZtMWWHsevt7hvcHs8Kzy3IZ1vfpj  
P1weQXtWolnoYQELUHASQsK9gHfc3sp4s3bjh49P2O6SLtvNEa40tREqXu6m7QQj5vrMZ2LDM/zYexkcL  
m6lsbolIH3EVj56YjRdG2sqPqfBlQx/7CPWnEit/hyZiwogM7mxAfgdPcrRaha/wDjy6tdsV+FijICEfcW+vNGzt  
KbRcPR8zl3oGMB46iMGuZWegMcsTCipKRk+XYyvcqsYHD+0osjXwVXcR6QnuMf3EDDMif2BtF4WhBxe  
274G5eTB9QUST7V1sXai1bVrMnLN/OPCCFZ4ehPPzBCvySa9BeKIMQhluRABKVyGHDQy3RWE9ImmYMe  
XUtp70tKWSmlGobb93UvPQ5tTVDvyrzGPTHeH9Qg3JNWoPn+Vd7AETdTkT1oO3gB3I3mS9nazwyg4uuA  
aX4bWDZ0qUsrWb5c9NxUqUGJ0qQBJCoIP7ILPp7lr8q1ni04MqevenVpTUNteUfazzqG0JrY+JIFSei6o/O4fq  
y29dkNN+FVW8D6iKAUn+fxtD73uG3w/G1ewsC2I18V9ffpXiEqAYJIHEehZxedDdX2e3vKF8a9HyY5ZG1d  
FKs8kolBfjOGICmg19Dq9t/I64alxKcZTVsgGL/9+jvZtnOe1dlOnpzhKgxCSBxASyYjv/BzHuH0q25+znB406  
L7sN5cM5KARnqsa2mGkvxkO/DzGvLzBnSduC/61OrvFK0swRQ7r53GdHRs7Qm2qwf0/6oP7djEOJiSACJaj  
CSn36W2KhlIqPjSc2tq2Ygi9kj4YSFhREWFkZ4QvZ5T7SGjDjCS54bFhZORFJePbtVgWszZwWzc90a1qyxlr  
WsXb+Z7fuOEZEhoxhE5SSAhBA1Ys4NYeOMETTXKLRdRvPoU0/x5MN3MqpnM3TubRn28jqipctK2CEBjIS  
oMVP4Fwx1V3jevQrbaHhDNL/d0QaNasqU36u42oO4rEgACSFqzBT5NcPPDSAf/U9eCktnV/ejzTGixNJAak  
hasx+Ajj/+02PJU7Qz49IwMmRAUSQEKIGrMXQMxJe3nzBi88ejz5mRpgBMVSAJJIWRMGkDaNtcweuxoRt  
xwNVd4deDm13/ISKrc00HYjwEkhKgxawB5jP8Cv0B/fDfO4uaWbrQa9hY7pfYjKiEBJISosYpNcEbCvruZRkr  
DFXctIOEqQcIOCSAhRI3ZHyrQ4M2bfd1Q2s48+VemDMMWFUgACSFqzBjyCYPdFB6T15BuSxoz6Run0UG  
rcLv6FfbW5nJNwiVIAakhasQUt44XB7W23HywQWdGf7CPnNIH+eOONmiUhuYDHuX3EBmMLUpJAAkhhH  
AICSAhhBAOIQEkhBDCISSAhBBCOIQEkhBBCCleQABJCCOEQEkhBCCCEcQgJICCGEQ0gACSHZciUn0SI37/8  
eyKSTafdMI0CSAghLismIhdN5ao+U3jn+x/48L7etL5+FofyL/2WSAAJlRlxUyqz0o2BVmWjTXFL2CM13V8  
EHjpl0mSABLCVRiiObR+DWvWWMq6ncFY1/80p57kr7XWx9axL8wBl7uibpiSOLZlre17X7NmHfvDreHiww  
br9752I74V7othIm7JFK4cPjfrZd+0yWAhHAVxfEc/PouOmsVqsINTN8YQq41gDL9WfHSEBorLe0nfcuqEL  
HbquoPeY0fd+fRFuNQimF53UvsiXKkiams/uYNbKZZTHY0e9xMLIsAJlJ2/Mml4c+y4Y4xywSKwEkhCvJX8  
mdngq3QR9x+pxzSvGj2fTTeTdp1zS5N4+LMacsYoKHQiktPWZ4Y7A9YiT0syG4KXdu+jKC0vgxk77vHca  
Nf5s9qY47GiSAhHALhWu4x1PhNuRTzpwBQCfncI3Og9t+y5AAcJHm9CVM8IAopaPXW0coHdRmlvyLobgr  
d0Z8E2ULIGPEL/znminM/zeUsLBT7P3iOT72Nth/8TokASSEK5EAuixVL4AMHPI4AjcMhMhAaxk8IW8CLv1Y  
bAkgIVyJBNBlqbo1oPpCAkgIVyIBdFmSABJCOF4VA0i4lqoFULQEUCkzxf08cnNzy5W8vHzyCwopKq6ra7Q8  
QnavYsWKFaxYsYLBV2Ow3/JpJu3EVIaWPG/Ijj+SK3x7ZnKO/clnH3/C11vDqTCQUX+WkjmOHhIBcDObh  
KTLdedoo4VbuShjpWMgjs6k966Bty1SuYAUzycP5nqaRkF1316+VFwIR/fgjvyYNYpZ+tdzddxAWSKZ8EYd  
5RSIRatZ1Pa9hJClFd/4FBSLY1TN0Xw5U2I7+s59U9y7T7RwL/Tu6MteZ6m/XP8U2GilpnUxRPxUF06vrChc  
8eQWK44rfvTnGlbZO6FqGPFfrzdW4em/bPsOudwy1IzH03dejPzqIMW/hj1x3CAVzprUUrR7KENIF5iGDjwS  
he0mtY8tk3vwA20r14HUNni1vkefguvhWGctRFAOfv49u0f+Ce6AP3WR2iu3Bj00WmMpixO//UTK/0sX78  
EUNXk7p3NsHZ2jgWNDs8mbelxw0Qef38l/pn15PrNmMumTdyhZt1W3W0uu5Z1sSWqSIXB/LDHT1pXDI  
5UHm0Y9jbu6j7XTDgN/taPLRXMGVROLYjLu8kn45qiteNnxAk+VOJHDZMujdZechrQeNWnai7/CpPPfxG  
gly61ODViFHZ/fHUyk0rSax8IzlmzcmrueRLlp0XZ7I7xwHb6ld9SeAvNpwVbdudOvWlas6d+SKZp62k7+1  
NB4zn/Cafue1EEDZ6x+kpUahPK9k1G030kbjRr87n2ZSryZollZ2T+1AjwRQdRiOzaKfTqF0fXjzUCb5BQXk  
psXg//dCnrmhORqlaNDnBf5KqSchRCEHXumKVik0VzzCFnsHkTmZXyd5oZSOPjOPcMIWotGHsPzFEXRs2J  
C2fyCyesxN9Gvfh16TZ7E19tLP9XAqphTWptgWjS102nPbnF/4ddGPfDXnSW7u5GE7d7hfdR9/RNSjNC+KY  
vOs2+nX0g3I0YJ03bvQ2qsRnUc+y5IA+2c5R6s3AeQxcTHIj+QWknjoW+7s4IYaQm4Dar5gXo0DyEzywQ  
W8/uaA4BlzZuNzVkrZha7oPuoX75mwj0SQBVC3Zy5jiqVC6a5hZsvyP2pyyhgfaalBKR++3j1bSZ3epmYj5b  
hTuSuF23QfYPywN7HvxSrTKg4mLUy95+7u5MIPYM8EEnQonMad+fGr1n4nwL4fHbv1d6/rwtl/pZ2eM/pm  
JzTQlv2kNLe5ajgMXErDPVEhGyJSRUXGk5Nbv770eBxCamcw199HC2oyhGnDnilzASOGp9zCwf3/6V6lcz1  
3fn7YMEqjFPqCi0EVMba8tCcfuPLkludxjxvEBVIPP6VLLW8GdlQQQLDikVZolMj9xNdE1YuWDxNx34+2BN  
DAeZyqjIAOvtoFrZKhZ5DPX68Nrujx2j/+A4bwxm4HrI6jiahvRIQaQJDJsletvOHpsWjbjXryotWzwmIlio+8x

dW2k7gHEXalYKY//f6V95WW6Ho6DvrM0XKuZYCyBC1nle6uq00Hbj/o7e4yUuhaTaCeUfzSrfd4QFUg8/p  
 UjtvABVz5K1e6JTCbUBItY1LrY4DyJxK4D9/s/90posEVy5/TvWscp+vUg24d60jzuwXCqAidj/bvrSjzvNOVuR  
 V+mLiAup5ABXiP/cGPGwHZQse2aKnRifWWgkgPUc/vJFmGg0tb/uVGJOeo7P646Hc6PjAshJLrtAlgKrhvAF  
 UxK5n2qFRioa3/UbaBc/IzoryssjMzKx2ycqvah9JHQeQ45CvdvHg2ndP1pMmx5pylQDSs+nhZqXN7p1eYl  
 8VDHljQQ5ZF3M85ugd0yJxidSbAHlf/h57j1vmzBz38+HA32tY8PpYOrqVOSibTmVpSSd0flwApt7eeFep+O  
 AfVzIwsdaa4PII/vMb1kaUHB45viz/3ZvUMkeL4wOoBp/TpXa+AMrfz6vdtSjVINuWJF74RF7NEZZIS+XHQ4  
 U3qf0AKg5I5WeLOZZpBmMlnwz2YuwPiZgkXp4AV9ujKt3EwmrzkTaGd8qHofeePscITTdEXW/CwSQ/iCv  
 dS9pdldaOj23iww/YqzHQfWPR22PGThgjdBLpt4E0IWLfzd+dJlan8JNEXx1MQHUwd48oPORDwHkNOwGkJn  
 82H18c3dX3JWWNhMXcrpKP8Yc/JZ+xNy5c6tdPI4TVGE+I321H0BFxz9mWHMtn1v55O9p1h0WyseWH  
 mG7XPG0cHdjTYTfyDMIS+H64VKAshYQOqZf5j/YC88Sx5z6/wQq+OrcklglbnfOZdxPE4b+FuqvQWTso5  
 AsitDcPf3E5imR9fYXIYQYGBBFapBBGWXDlJyxTFNyPKBNCUZdgfHm/g8P+62QJle+WL7K3mlUh9CKCL/p  
 wuNWsAKU/adO9L37696d6xOR4aHU2uGs60T7YTXa/yu26a4EyZwWz89HFu6tyRtq0b0aZte7qOeY5vdo  
 TZbi5nz8XU9qzI0jCTFRtcxeMwkMCgYGlDsnLIOQFk93zUgn53vs9fMY4YJFFRTb57xx4T9SiANK36MHLsW  
 Mbecgvjxt/KxP/cwX3TnmX6vF/461TmOU0PNejBCfywy2IY/k9ji/Bfk3fwP6XO5UGULfXOex0AeSMfUC9e  
 GG9PwH+JwkIDiUmtaCeNjvVVR+QgeSjy5g1pReNtVp0za/h/g/XEpDh7FUfj+0D0I7JnZ/8yfl/l/HnynVs3XO  
 U8HQXbh07xOpNAFU2Cs6+mpxY81h5V0PbY+7DvqhkcmshW6Y1tz1P1/89/Kt5DpAAqobzDkKoLgMpZ4  
 5x9OjRapdj4elVDDwT8QvGXDCALBcxnvznj6wLvmjx2GpeG9+NRp6dmPD+ej7/Tzvun7+aN0e1xb1pb26  
 f/Rdx9TONq8BJA6jCIISLYSY3NgC/izge/QLjyHONYZB2OWkAGQn5djK9unWjW5VKLyZ8FVwmysTAodeuKu  
 0QbDSOH2Pt/KqLA3h/QOkkWI9bfyG5mgeC4wOoJp/TJVabAXRjBiGYfhtMh5K4TbfgQLsfmhF7HiyDRrVm  
 Ac3XPi7N2fu4JXx9/ONdxomUyRfDW9smcBafJa9H9/BpFmHq9DhXV/Is/m5PIU8DrvRrXs/Xt5RH+cBXQwZ  
 hFAZJw2gmslcdS/NbV+yhubDprPhTI7tytech8Hm6TfS1DYBVke/2SeqXTNwfAA5kVqtARVwZtdyli5dWu2  
 yfH9Ulb/non+ep4PmPANUZKksmuBxcSt4FPvwRk9PBs475dLDcOufuqkBpfhtYNIFHI9/bjpe/1ZaqEWXZQB  
 R8C9v9vMof7Wh8aRfP55c3bMzrPoyj/W5BYWRFs/7UMCqBpsS/E40WrNWet5qLUGpevNm74Vv1tz0IK  
 mNtfgdu0cTIR3I4whrH73DT7eXP/u4eLaTIR/UXYpnl686esx6MTUjwDCNAH/cjUTIVopml4NY+vjrmoq1AJ  
 oKor9n+P/m4KpRox8ZcqzPwPfwyEfD+OlhpFw2ufYXlwlI0sihL2Mm/8FWg9+/LyrnQn2R+BOY11D5VZJF  
 Q15tYfL+73Ly7ssg0gAFOaH7+9cTc3XtUMt3OCx6NFT0Y+/D5rgnMu+uQhAVQ1ufveZUTHMh3Ujboyds7  
 uS3Drglpgzubkkpe4pUcz3JQ7TdtfRbcuV9DYoyndxzzLgn9TpAbjNHLZ9FjbCucCpW3MNe8cruL8MFEddr  
 wjqpHshHDCwslCwsjPDHhO9T9UY346ibFRREZGk5Ca5yLLn4hLx0h+ShQhgQEEhUSRnOela2Yz6QHbWbt  
 mDWtKytq169iwZQcHjkeTJQf15UEfwYH1pceA9TjYuPUffm6kXrrbgISBAwNICFG7zGQFruLlwY1QyoPu4x7I  
 qae4L9TR9CtiRaPDqOySTVeamSuriarS9dTWOIEpLuyF38cA9k7ihQwOUcqPVoKdZHIY/YkgCSAiXYiG/  
 QG4ndPkWxS6gAnNNWhaPcBap2jbfDVRfOQteukUpXcQAHPGDp7palnHrvH4n7A3++RSkwASwqUYCf7  
 w+goBhDmD3yZ7oHRXO88oQ3HRiv3eps85AQRfbH+itWWARYtH2VoPKkESQEK4IMoCKIGFY9xRnqOZH  
 1MPLn1FnbIfQH02I6zuUl8muEoAcEFS7AWQgYtTl3OtZwP6vLyTDGmBc3n2Aqg4bjn3d9CiNM0Y/c2pejH  
 QSgJlCjdiDSA32vUfw9jRwxnUsxVencbx5tITZEjI57JQGkAaWvYzyZiRA+ncRluu/c38b1kADllo3A4JlCfjW  
 AmnD798cJ9PdmzYyhNHVry83v7a9k5XfhakoDyl3BM9axZeGj9PFUKF0bbv7wMFn15DiQABLCpdhpgisO  
 4uMhDvdajjy8PkVWZbgMVGyCy2X38yULoup680qB+rGsrQSQC7F/iCE3D0v0V2n0PV4hX1VW+5bODF  
 7fUDGkE8Z4mFZ3aHjPEx14k6rEkBCUjRiTszuh055cc/qvNI/m5NYfndrNMqT/jO9yav8BYQLMBx8jau0CqX  
 cuXl+rGXysTmNtQ9eYRmGrevBi3uyHb2ZEKBCuA4jEX8+Qf+WlsmGXt1u5TPv0lusGyN+5NYWGP52NTc  
 8t4rlenAFLGqfOfsfZg5sYVtQ1f3KSSwMtlx5Kw75mpGNS+411Golc/Y7tjosASSEMIhJICEEEI4hASQEEIh5  
 AAekII4RASQEIIRxCAkgIIYRDSAAJYRwCAkgIYQQDiEBJlQQwiEkgIQQQjiEBJAQQgiHkaASQgjhEBJAQgghH  
 EICSAghhENIAAkhhHAICSAhhBAOIQEkhBDCISSAhBBCOIQEKBCCIEQABJCCOEQEkBCCCEcQgJlCCGEQ0  
 gACSGEcAgJlCGEEA4hASSEMIhJICEICT7QdwrGFxKVjcppxsP6DavwMJICEc4FjDro7eBCFq1cUc0xJAQjiA  
 BJbWNRJAQjgJCSdhaiSAhHASEkDC1UgAcEekJICEq5EAESjJSAAJVymBJISTkaASrkyCSAgnIQEKXI0EkBBOQ  
 gjluBoJlCGchASQcDUSQEI4CQkg4WokglRwEhJAwTIAAnhJCSAhKuRABLCSUgACVcjASSEK5AAErXNbDZX  
 Wqry3JqSABLCSUgAOU5tnXgv9nUu5v/OFxhmsxmTyURxcTFFRUUUFhbaSIFREcXfxbbnm81mjEaj3ecZjc  
 YafR4SQEI4CQmgmrOeeA0GAwaDAZPJVokj1HrStp589Xo9er3+ok68575OYWEhBoPhvK9jfX9rSJT9vwttt  
 3UfCwsLbdtcXFxs+z+z2UxRURGpqaER0cTHh5OeHg4ERERxMbGkpmZaQsho9FITk408fHxREREIHteVIZ  
 WubCqLgkgIzYEBNDFs56Ui4qKyMzMJDo0mPC4JAoKCiPTbjKZTBQUfJCSHE+A7wH+3rkP34DTREdHk5a  
 Whl6vP28QIH2dwsjC0tPTiQj2Y+/u3Rw4EkR0bCzP6ekUFhZWeB3riT8/P5/kxGiOH97Lzj2H8A+JID4+nqys  
 LAwGQ4X3tgZWTK4OMWdOsn/PHvYfCSQ8MpKkpCTy8vIwGo2YTEX4fjCYxhqFUqVF27Add3yxh/j4elqKijC  
 bzWRuepbObjTln9d0GO9u9SYhlcH2vIshASSEK5AAqr6ytYHs7GyiA3fy0WMj6NCwLQ8s8iUjlwOj0Wj3f/JyE

9j26TQGtdCq9Gi0yqUeyt6j3+Rn3d4ExMTQ0FBASaTqdL3t4RYPqd3f8dDQzvRSKdBp90iIDsteo7I5R+2E  
x0XV+51rOGTnX6GZW/eTu9WHIitDp1GoW3YgUF3z2K9jz8pKSnITv5msxmDoYiYQz/xyE2dK7zX899ujDg  
kxFZrKSrKw/e722itLQmWBv154ZfVHD9+nPT09HI1oMzwJUXsqUEphXvniXy4bCMBAQFkZGRIDUily4EEU  
PVYT555eXkkRvmxeOYdXN285Epe244Hf9hDSkqK3QDS69PZ+tZgGms86DR+Bsv+PkSQ3198cW9PPJX  
Cs+vdLPj74HlrANZmrsh/PuCG5hrc2t3Mm79u40TAEbZ+8196NVQo907c++00EhITbTUas9IMf4Uix7sjru  
mMf3u/5BNB304eXAVM26+AQ3S0HTgC2w4ctwWoNZ9Tf73E4a20ODWfjSv/7ieo8e92f7dNK4uea87PInL  
6ZAQW02oIDeAt67zQCmFptFwZq3aQEhISLmaodlspihvP8900aK07Zjw7h8cOnSlpKQku7Ww6pAAEsJSA  
BVj7UWs2P+Cwzv1JAGbftwXa/WuCmF0nbgvz/9YzeAjEYjYffpZ+nQttmI9u30tsbCx5eXlKJGxnWhcdSrnT  
a9p8jp08SU50jt1akMiklivjBG/e4IXStOTWuZulilwkOzub9PSzrHy6B1qlcLvqPIYfDyA3N9c2MCB89a001yr  
cej3KigOHSUxMJCcnh8TABYxuokFpmjy5krClyloLCzEbDZTWHCK/xvaCKVpyS1zVnLi5EnS0tLlyUlly0tXo1  
UKXZd7WPzPfs6ePUtxcTFGo4Hj84bhXvKZ3PnpKoKCgsjPzy8XQPMBH9LFTeHe50l+3ryVM2fOVNp8WR0  
SQEI4CQmg6jGZTGSGLWJCPz7cNuNn9hwP5MSudxjgplDajnYDyFjryWXNE53QKgtJ/wfPsePk52dXdKUV  
8Dm57qiVQptp7tY9M8+kpOT7daiiouLidnxCp21Ck2Tm/nywBEyMzMXGo0YDAtRviUAAB+ASURBVAaid0  
2nm06hNG25b+EJCCnU1xcjL4gni/GN0YpHb0eXUjgqVpk5+eXNOcl8e2kjiil8Lz+BXb5HSM70xuj0Uj6/ul  
01Sk0TUbz/ua/iYmjsQ2YSD/8Nj1L3mvqp+sIDQ219WHIBH/GIHeFUlo63/Mph318yMzMtIWqyWTAZ9a1uK  
IGDH71N/YfOEBSUIKNmt6sJICEcBISQNVjaUorICE+keTkZLKysoj3/5wb3EsDKDU1tUIA5Wfv54mrdCjlxoDn  
l3A6JAS9Xm9r5opZcgdeSqF0fXnhj61ER0dXalqyvHceW17tjU4p3K5+j00BpTULk8IEWsJKbmuuQSkdVz/x  
C5ElgZGd8Ae3NlloTVNunbu530sbDIUcmjPIUotrNJJpDh8gNTUVg0HP/rf6oVMK3dWPsGLvflu4ms1mCjI3c  
FcLy3v1ePhb/E6csNW4ivQhvDvY0gyn63of//eRUJCGi1givMP8UI3HZqWE5izagsBAZbamsWDEulygFUPW  
XnulhLcvBXDL5AAGVHL2S4h0KphoyZvZ6liAhbP4/JZCJ972t00SmUpjW3zVtLaGiorRms7Ovk5SXx2bgGK  
KXwGDqdk2WeZzKZyM7w4bleOpTS0HTcuwSHHlJQUEDSvhmWmpH2Sh5auL1cGBiNRqKX3EIDpVC6Xjy  
39G8SExPR61NZMLmhZZDA4FfY4+1tq8WYzWaKck7wv75uKKWhyeiZHCjzuNFowO/DGy3NcLqePPbDes  
6cOWML3fRtT9FOq6X9nV/w165dtpqVBJAQlxEjoxGo0XDCCyUSazxyu1imUpgWT5m201UCGjKD859H  
fzRjQo95exenTpyv0h5jNznKyApl+nRtKKRqNncPpMkFmNpvjyw1n1hB3S2jc+D/8Tp0iLy+PuFX/pYVGoX  
Tdeeb3XSQJldlqMiaTibObnuQKrSWgHvh+K7GxseTnmLODZbXajTqTQ4dOWJrNgQoNsTy0XCPkoB6mZ  
0HD5Kenm4LqOyAT7jeXaGUG30e/Z4jfn4ITXsZLLu3FRrd1Tz8/UaOHDICRkbGeUf+VYcEkKsz53JmzrWrF  
ITUtZzMKqo5EETyce3stb62NrN+CXVzoFVJ0wj+G5YW7ov63YQkGH90ecRurfMfq7bR3iBQ7e21kkA1UxV  
Ayhln6UvRWlacfsnm4ijiSkXQDInvulGN4VS7gybvoLg4OAKAWQymchKP8oLFSw1nCb3iMkMpKioiLb6+Tn  
xTF3hCU03Aa+yL9BweTm5hL92900KqnhPL9sd7k+JpPJRPLfL9JRa+nPueurzcTEJcXfZwZ15bWcP49epT  
s7GzbNhUbkvIqCWA3K57lq37D5CWlmYltiL9aWYPKgmovo++p+9JCUiURD7KxOaaGgw8DX+2Lbd1n  
dUG7UfkaBynMI49s1jVnr4qnsIj8XspFPnr+XSRNu477nP2L96Vy7zzOm+LB45qNMnTiRqdNm8MP+BAy  
2Rwsl2/AqQ5pY2n+7PfADPonFJY+ZyQxey+tDGqGUOz0f/IGjqdU/sEyZ/qyY8xILjhVX9gzSjv7GO49PZeKE  
KTW8fQF744rsPvO8+2xK4vAXU7hSq1Ca5tw8axuhOdbt1ROz70umdtSiNK0ZM2s7UYXV3pV6TQKoZqoa  
QKnes0pqQM2YOG9ThRpQzuvGOSmUMqLm99exalTp+wHUEYAr/W31IC8Rs+yE0AxdFcEkAeN76036l  
TlgBa/iDNNQql68ZTv+2qGEDbn6dDSQ3owflbLCP0coKZNCjyWg1HzOBwhQA6y+ejS2tAfx8oH0BGo4Ej7  
w+29C159OfIPlZTHh5K4JjejaKBpxsiZK2t18IGVBNClZs4icOXbTO7uZbmC+jLCbgAVnvyMka26cM+PPKT  
HBbL6mX40aDaCzwPKn7jNKdt4plcLBr22kVPxURz66jbauXfm4XWJZV63kH+n90CnPbj341nKHzoG9r3UC  
bdOz/B3TjX3pTCWf75+IEGtdShNO57ZZS9UzKT//Sj9ml/HS+uCiIv2Zv7UDrhfeT8r48vveZX22RTHj+O8U  
Npu/O+wofxbmWKZf7MHjcYulKoeV+QuVm0E0PkWn6zqopTOqqoBIB700QPdFep5MvLttUSWBIf188g69  
h593awjytaW6y8p+zrZVHMUamkiW3wa5wIDy/fBjdzircGWmotLSd8QGBICPn5+cRttQZMe+5f8Ddnz5  
4t3wS37hFaaiyDIF78czvx8fHk58Xy6c0IATPwBf7x9SUrK6u0Ca4onPdvdEcpDS3GzWbf4cPlmtjMjhpZ/vM  
slwSVJ4NeXMyxo+uYocAdbbu7mLd+G/7+/raBC7VFAuhSkjzCJ2P7M+rpL1n6+Z2017oz4puoigFkTmDx  
5CZ4jvyWaOuDWwu4v4WW5vesJN12nBs4MrM37m0fZ1teyZ+MIXx8gxu63jM5WqZCUuz3Nn10Glo8sl7  
ssu9VflLZ1zTgug8CKT+Q9PxMMct55PpB3DVnMUteug43TQee32MnglqPM+cad1o/vBFrvpnCv2CYu5bu0  
/8tralVeZ/NJC+ZTCPlxuBPzpTbZnPqH0xp2pZpm8rtocuoQCVXRg3IUlZ11k0rp2mGXZFpNLhFFVAshsN  
pOTto4pJaPT+j75MyHnDB5I2/q0pQ/G/TpeW7GVqKgo23I6ZUtOTjqLH2yHRil03f/LtuDS0XRms5mcjD080l  
mHUjquefZXwili0Ov1pAR/aRmpp7wY83+bil+PLzclleZ7W/FQck3zcXzx9x6SkpLQ63NY/VgHy1yfrvezbP+  
hcn08hoLDPNVmRkV7+ML8Tmnj8gyjyiYt68vqUUNfpG1Cx+iq07HVQ8t50/du2t18IGVBNClZM4jMT4DE  
2AMnMt1bvYDyJy6hMkNdfR8wwdbhpgTWDjWA03LR9mqL/lbsR9v99bhcesvpJQJpYovYXWbRAfnSpzei4

+ysyrdWhaP8LmMq1aRYf/R4/GY1kYY++qJpPfb7+CaVvstGUZU4lLtpw9f+VdeFYSQMUUn3+VanQdjFyaU  
1ryKfXijpw5d//fwN1ZznwFz0q9M8IK43/QVEbbNNhH3wzgd3+Ngy7W9GZV0wAymUwUxPmyfPEiFixYw  
Pz588uV779fwIKFP/LTr0tZs3UvJ8jiSElJlScnh6Kioguue1bf2Qsge/OA8vOimDuyoaU/5eaZ+AYEkJeXZ2uqO  
vHRMnyUQtdrGn/s+se2GoJeryc3N5fc3FwKCgrly8vF+4vxliHbDYfy2SF/2+uYTCbSz3zLEA+F0nXh0V/+tq  
2/lpV2kCe761BKS5f7v+VMmcELxcUFbHjaMkep0U2vs8vbm4yMDAyGikj+vM3Sd9RwCHO27Ck3eKEgZi  
EjPBRK15UHv5DYGBghcmmRmMR3u8OtDTDeQ1kwqjWaD2u4Zlfan/wgZUEkIOcL4AM//6Pblp3hn9d9rEi  
tj3aAo37KL6zhkXWUm5voGj+yBZKz7kmor8dibumjY/9VTYQDPi+2Qudpi1Pbrf2zuex4+mOtLpnjWllzysF  
Pnz6xAzWhmay45mbeOPfdAJ/e5FnFgRzTqMXcP4Ayl15Fw1VYx7cUCYVSojFNfkvmwqruc8A5rMsnuiF8hz  
NfOvfjWf47EYvrp8bVK2anDOPjQDKCI7Fs2O64nXOlPr2i3szug69m1m/7SYyNpbc3NwaL79/qVlrG9aFSO  
P/fZc+bgqluYK7v9IBYskSOOVXiS7k6Ne30lij0DQbwUfbD5KSkolBYECfH8y7N3iiVCMGvvALvkePkpGRQU  
HsGl4YN5rhlyfz9lp/4uPjycnjlerkj4xprkFpGjHq/7aSmpZWsg6bnqOfjqKBUjTo9yRrD3uTnp5esgBpDhtf6Yu  
bUmg73c0KP39ycnlsS+ek7+SRzIqU9gomfrCSokAg27I66RG/M6GF5b2GzfiT8JlaldFo4NS3Y2hY8I6/bttOV  
FRUhdqMyWQi8/gHXONm+f41SoPXD5+yfMtWQkuGiNf2dy8B5CDn6Ci7U/QSuPB2B/K1BpK+mrK1mx  
Msf052V1D26d3UnrqN5O6eCleqgH3rtGxe12D7xv00mnp+Nxu9IA5cw33t+nEszvzy29AcQp+f87mvpGj  
GD2oP0PGjGD0tHmsC8q0219VeQCZOvfjODw0LXIsW9nHsvjjdk+U5x0sz63ePttd9EEvFQDxv1oeX7x8d  
lc0+QWFsa6Y0dPidpogtPr9cTHBfHhuOZolGX2e/uj77B6wyb27d/H311bWf7T7x7w45Vqa60qCSNuSYa//SI  
BoqK0PwFiCyGQyoc/Lli7qDEf2rmXOf66yXOErLveMel4lm3YTHBZFSnqWrRnNaDSSfYQr17fBI3S0Xbky6  
z715+kuADWvjmcZhoNzQY9z5Ltu4iMjESv15MT8iVD3K1DtzctGBhIZmYmqalnWf3mjTTRKLSthj7jTfj6c  
mc+ut9RrTSoGncn6cXbip3gjcYDMQFr+SuLu4o1YCed8/lwOkoMuKp8/MjffBUbnQYP4v1e/YSHx9vm6RaU  
JDDjvdG0FSj0LYcwwQlfxN3No7Qvz9kdGsNmibX8fg3q/H19bWFXVlms5nC/ADe6G9phlOaFox5cxH79u2z  
DT6obRjADnLeANr5NG017oz8NqbMYwb2vtARftwvoosabdN+IGxHhpaPratXACILJqAh2pWsenM4MOMnj  
q0XV5mf5GZs79Opnnft/GzU60pTDjMr29MYUC7tlx54728u+IYqZUcf+cLIMu2NOG/m8puSya/3+ajavQA6  
wurt8+2V078mVsbKrwmlSbjXMiBV7rR+t5VZfQKXE9t9QHl5eWwa+ZA24n4yrs+xe/kSVJTU8nOziYjI4OE  
hBi2zxtHS+tKyR49eHbJLuLi4mq9H6CuWE7m+ax/wtl3cr7ansfojwhNTradzAsLC4nx38gr43vS1E2hNG64  
u2nQeF7BNVPeYNGWXQQHB9uWwckj+ZLBbpbRmRM+2MDJkyfjysoiPz+fqMgAfvrjHo2sww4cHN3Q6M  
8aNXnNi79fi3HSlafLjvQICcnB//dP/Dg4A401CqUzh13nULXuDND/zuXP7fvliQkpNwFQXFxMWmpkSx9Zwo  
9m5/zXv1u59X5a9h/4AAxMTEVJs5aP6/i4kIOzroOnVjoO07hs1XrbIMP6ul7lwBykPMFUPGJOVYj09Fv9vHS/  
hD0bHyoCZom97PWOUAgfz0PNFF43v4HWaWvTNjnN+Km68fs4+cmhgHvGT3Qarvzv4Nn+HZUM4Z/FV  
6xVp09jSf7DOTJJX5semk87+w6zPcP9OP6Gf9ir3vlfE1w+i3TaK48mLg4tbRmY4rimxHu6Hq9yZHiau6zIT  
mRn29tiGo8hT+itvJ4hy48v/ucmpyLqa1RcEVFhfH+ONwWQJ3u+YKghWQR3oBoOBjLTjzChZKVkpLZ3u  
+oxjdXgyqm3W2kRycjLBwch4+fnh4+PD4cOHOXtoElcPH8bHxwc/Pz+Cg4NjLhNA1nsBxcFh43fWl5Yt/p  
mff1305t2H8PPzIzw83HZbA5PjhF6vJy4ujuPHj+Pn50d0dDT5+fkYjUZyc3OjJlzE5/A/rP7tjxYu/IWl63Zw4PB  
hgoKC7N5Wobi4mlyMDE6fPsWerStZtPB7fvx10Vt2H8DHx4fQ0FCysrLKNYlaV99OSkrC/9hh1v7xCwsX/s  
wfa7ez98AB/Pz8ilmJsa0rZ4/JZCI7LoDVy5ezcOkmDh0+XK6WVdskgBzKfAFE3iYebqWh0dRI2OZZGoP5cK  
AbnmO+x9bKZArny2HuaLtpX9tWi8InyyOt0LV7ih12JmlavKfTQ6uj+39u59pWU/gj2d5BZaao0ADksfLuzjy  
5owgootD+1J3zBpAp5jtGeWjP8sqB0lqafgdPtdXR5tEt2HKlqvctZhsTf76Vhpomij56C62unU2FvHUxtRVAB  
kMRfh+VD6Dgc4YSW05mBeyc3hddSS3BfeDz7Pz33zrpjK4L1iDR6/W2ml16enqFkpGRQXZ2tq0Jruz/FhU  
VkJZOTQ2pqqKlJSSQnj5OZmUIBQYHt5G8dnZafn297j7y8PFs4WcMsLS2NuLg4oqKiilmJlSkpiZyncPPeWC4  
vL4/k5GRiYmKliooiNjaWijQUW7jZ+7+ioiKys7NJTEwkOjqaqKgo4uPjSU9Pv+BN9KyhnZGRQWxsLGfPnrU  
FlgRQGaalpUzr06ykHbts0eDWsAVX9h3BXS9/y85o/YVfzAFytj1BB4203m/62qV5LHnxa7oGo/huzDLWTX  
P+w36eXTg4Q1pZfpITMT+MpGmui48uS0dM2BKXMZdbRoy8P3j2M0LgzfTe2hRSkO7x7dx/qk/RcQf30dA  
8vIONsWefDIEN9WUO5enU+EQNSXw2+0t0F35CBtTzYCPFX3065Bf2YdLbvnVd3nUuaEnxjUFKfUA0Z9  
G1nphF5XcSkDCMBoLCboi1GWNcKUwq3f42zYt7/C0OWqvGdtIYvZX2uYXKjYew/r/xqNxrD0it73rnPKRtS  
1iHw594iu7Jtt65IZ/2fsrfxvtj/q8pnZt3WC21jTtIaAGYM1dzXwsNSnkw6ZCe8goKyM9OIsx7DXOndsNTKTS  
txvCVf30Zl2vg0LzJjBzcizae1g7epnS5/ibG3P01ZRcSMOcc5du7r6Zl22u5Zdloel/Zl3u+8SXR3OPAGM/WGa  
Po0KILQyeMZ9BVXbjppTVE2BuuVrIN/07vgVbXize8K6nSVIUxnN+fHMuw/p1obLujYlv63jiKW2dsKTeqznR  
2BzPHXEmLzkOYcOtguna+kedWhlUlyCrvs+0fEvhpfEM0ze/kz5T63yRUU5c+gAwcmze05HmKBje+zM6S  
GfRvqQFZr+LPN+eoOqXsaDVndbFheqn/r+z/liWnDiCKTzLnGh1KeTjI2TnX8kXBfDLUshjtk8m/ctYpj1kz+  
vQYwsjiSL9AhhpzzxIRGkFizoXbocw5CZwJTST3kn4mRvKSlwmNSOT8m1j1fQbQp0RwJibD7vBwV3Opm+  
CKi/NY+fAVJa0MbvSa9jXevr7I7hVzvvcPksri8LLPef/99/m///u/Gpb3+X6LP9klw5Gfa3DuADIG8P4AN/sBhl  
mor4dbmg+aP8LW+IjEq7JFMmiBwbSv3//qpXrp/BNYPVOPjccqGgy5WKXc3trjaV22/BaXvhlLchBweUmMJ

7vffjyl3mvZCmamhctVz26mOhqdIjXZtOfInPrFi3LhQOopHNcKZTnnaw4dxSVELXJelp5A92qfkLV9eQN3+  
qNm qizAlr7cwjPnyYvL8/WR5EZtYu3R7axDF/WNKLftM/YuXcvCQkVQoAs9IMbk48v7xyG6NGjWLEiBEMH  
z78osulEaO4/71VRMfGxvD9z+0DqY3mPyn2I2yq6cRkFw4gM4k/jMVDKbRvcbBKRTRGAtyyMrMjLOajStH  
77Kz70UVOW0AaWje/z+89vrrvDtnFm+//iwPTLyBjI4INZ8GHRj6+Eds+HsnoaGh5OXIVbn/p7CwkKSKJEJD  
Qzl16ISNyunTp4mKirINPb7QexcVFZGWikZsbCzR0dFS6qDEXd8dXGApeXa4bQKYEfp3cFKW0dHv1ABceC2  
fg4KtdLjhhzV7R9phRZhi0uDzpSQj0wdvbu2rF5yQxedX70dZNAcl0DZvRqkVzmjdrRrOWbWjfuSfXDhvhH  
Y+/wddLN3Ho0CHCwsjsky6r2vxlnU+k1+spKciocSksLKzS+5tMplpq9pNyvrj//37bShASQGUCyJgZzLo3ht  
NSo/Ds/Tx/VWmElInYnfOZN3cuc6tZ5i3cTbyrjwEWDIdXTXAdp85I6/btHD58GG9vb3x8fDhy5AgnT54kLCy  
M5OTkSuedXOi9rEFUG6WqfQ4SQJemrF+/nqCgoCr1CVbGRQJlQ50Ovenbtw+9rrqCRjoNHq2vYfKriziaLsk  
gLoVCUsODCAwMrFojCiWpmdndrasAuvKuT/E9dozExETS0tJIT08nMzOT3Nxc9Hq97VYA1Q0faw2oNmo/B  
QUF5bbIfCSAlk3Zvn07ISUraFzmAeTB2M+OEOh/kpOBpwmPz7I/CdOBHH2wXK7lknHaPqDyS/FYJ1GWrX  
FczMnFbDZTql/j20mtaNy4cS2UZlw3/S/SqtgHVFBQQFxcHEFBQfj7+0up5RIQEEBIShtlfDLPIDsJ4KrHjO5s  
QH4HT3K0WoWv8A4qtmcL1yNkweQvYmoNX2f3Jwl/m9YLQ7DnvYLkbGxF1wM1Wy2zOS33p8njydHSh2  
U3NzcGt8nSgLIrGyHiBowhrNwai+6detWtdLzFj496doBljeXzZF90/j999/55Zdf+Pnnny+6LFq0mPV/7a3y  
wpi13f8kpWb9cpWRALlxk+K3gWVLI7K0muXPTcdJlRqQqGO1F0CF+MwdVjol4c7PCAojqfUAMhgMpKWIE  
R0dTURERl1KZGSK7SZvshKC63DuALitxePB5CV2FsUwoXU3u0YCTg145qSVa41NL75bY6fOIXrd7w0m2t/  
LThnuyOrOD/nDqDs9TzUSmNpH35pL9UcVCSEU6mtG9LixP3DM/08bE3ImibX88aq/aRnZFRpIFl137O+LP  
tSH1xO+1oVThtApshIPHZNi9I+G10r+j/wE0FSOxcuqjYCKPff9xjQWFuxL1PrRc+nI5NWjcmmonqsZLnm  
5ir1+spLCys89sg1BdOG0CiDphSOL51LWvWrCkpa1m7bgNb/j6f2yOLDfkYDUNlJpJcqvnm2fOsH//frZt28b  
mzZvZsmULu3bt4tixYyQljdXZ3S8vZ2azmWjDlJ9PaWm7wV/5okHn0YhWV/bmxkmp8d7vB4jLyLTdJM9Vv  
w8JlFHKm6jP8UzofcNbyaCY89xVNPpMSUoV3w0jSg0/g57LZ7B1VxKdRGDUiV15OSkkjMTAyRkZG2Tv6  
oqCgSEhKqtdyOqDrr+nRnEyNZ+Uj/ywAQTWOuu/8N/u+99/nwg9m88eKD3NK7ZcngEE+6TPmMI9Gxtlu  
luyJlFFesS9v9NShaf8c/5TeQ5ugz0fRWGlo98RfyMLijFbfUBI75RZtkgnf90yGo3k5OTg//PdNNMoIKYFE95f  
ha+vL6dPn+b06dMcO7qDd29pY7kHk6Y5Ez/ZXuUVyJ2RBJAor/goM3ufG0Bgil/AGHeF2/UfSj+bg9TGKDi4  
cEe4qBvWPqCIPx+iRUKA3fbxjilj8nLy6OgolDMzExObXqBLlpLs1yb2z7kRGAgeXl5LvndSACJ8ioLoLDPGe  
qm8Jr8K9IK5xi1FUDCcYqLi4le+d/SAPpkM3FxcbYajtFojD3kG250twRQszEzOeTrS1ZWlks2w0kAifLsBVBR  
DBue6oV7o+t460BNj/yKiyUB5PyMRiMxKx+uEEDFxZZVMcxmM5neM+mpUyjiTp/HvsNbAqgcCSBXVhJAY  
qMj148Zy+ibrqdbY0Z0nTyb1UHZMtnXgSSAnF9IAWStARUbUtnwVhd0SqFpNyq3f1DQECANMGVIQHkyq  
w1oDb3seh4ICcPL+el671w73Arn/plADmSBJDzKx9AzbjInd/w9fXmdMBR9m34itfv6E1jjaLblaN59sul7N27  
l7i4uAsuwOqsJlBEeXaa4Ar9ZtPfXaG96hI2ZLrej8BZSAA5v3lBZHeV9I7c/OLX/LZ+M/v37ycilqLkT0F3RhJA  
ojx7fUDmTLY90QmtcqffTN8q3N5c1AUJlOdXvgbUhbUf/ID5879j/ufvcN+A5miUQtd6EC/9ulWwsDDb4quu  
WPsBCSBxLsNhXu+mRdPiEbaUSRpT7ClmNdegGg7hwxMSQY4gAeT8zu0DmvDeSry9vQkMDMRnxyc3N  
KyTJK2zVjmHwwiOzvbZWs/IAEKyjKeZvGdfUsmyTWm53++5ZjtIjUGTn01kiZKoWs7INc2xuG6P4v6SQLI+  
VUYhFAyDygnj4fU1GS2zhqKV8nSPFdMnod/RGSt3iajvpEAESjSAA5v/ONGjMYDCRgBwdat5I76+o68+jiva  
SkpNT6KuX1hQSQEE5CAsj5FRcXE73ilZqXjIKb/HHpPCCTyUR+fh4+P9xFa61lUEKDvk+w1T+Y3Nxc1yU  
VAJlCCchAeTcLAuSZrHnnSF4KmtE02ue+pkzUVEUFhbabuCXknSct29qYIkPTjWg9wNfcjwyBr1e73lhJAEkh  
JOAHJjeZrMZY/FZfpna6pzbMehoMf5jQtNLbwao1+sJ3TOXgY01tls1NOr6MGsj41xuZWwJlCGchASQ87Leji  
ExMRffX1+2bdvGhgOb2Lp1K97e3sTFxdlqQUajkaysLAICAtixYwebN29m9+7dBAYGkpGRgdHoOqsBSwA  
J4SQkgjyXtXktMzOTmJgYQkNDOXPmDKGhoURFRZGRkWFbjse6anZGRgbR0dGEhoYSHh5OQkKCy01KIQ  
ASwklIADk3awgVFRVRWFhoK0VFRRVGuVlrQmWfW1RU5HKTUihWAHhASEKdOr7r3YXL1ezVJAAnhJCSAhK  
uRABLCSUgACVcjASSEk5AAEq5GAkgIjyEBJfyNBjAQTkICSLgaCSAhnIQEkHA1EkBCOAKjIOFqJlICEcBISQML  
VSAAJ4SQkgJsrkQASwkmcbD+AYw27SpHiMuV+k+wHV/h1IAAkhhHAICSAhhBAOIQEkHBDClSSAhBBCOIQ  
EkBBCleQABJCCOEQEkBCCCEc4v8BLMGA1mAGZkgAAAAASUVORK5CYII=?&noLink&|Formeln|}

From:

<https://wiki.rcs-audio.com/> - **RCS wissensdatenbank**

Permanent link:

[https://wiki.rcs-audio.com/doku.php?id=public:basics:vorteile\\_der\\_100v\\_technik&rev=1585559201](https://wiki.rcs-audio.com/doku.php?id=public:basics:vorteile_der_100v_technik&rev=1585559201)

Last update: **2020/03/30 11:06**

